

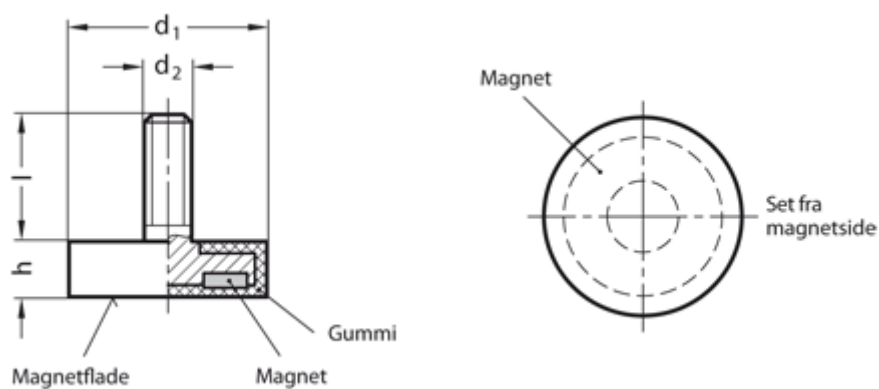
# Data Sheet



Article number: 201229037

Description: E+G Magnet - female thread GN 51.3-ND-43-M6-SW  
ND Neodym, iron, boron, 80°C, 85N

## Measures



d1	= 43
d2	= M6
h	= 6
Holding force N	= 85
l	= 15
Material	= ND Neodym, jern, bor - 80° C